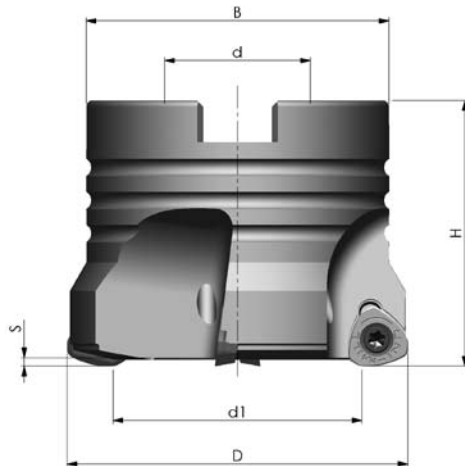
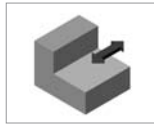
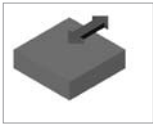




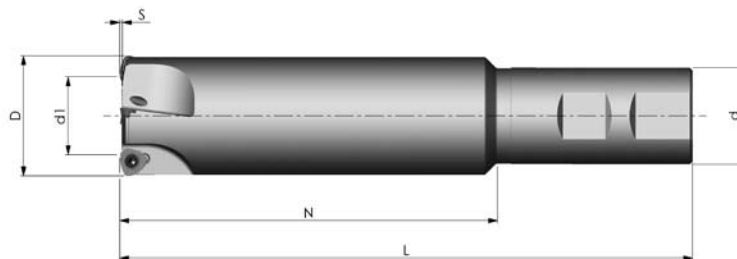
Produktgruppe 540:



| Bestell-Nr. | D | d ₁ | H | d | B | S | Z | MS | Preis/Stck. |
|----------------------|----|----------------|----|----|----|-----|---|--------------|-------------|
| 00PP-040-540-4 | 40 | 26,4 | 40 | 16 | 32 | 1,0 | 4 | MS-8x25-912 | 243,00 € |
| 00PP-042-540-4 | 42 | 28,4 | 40 | 16 | 32 | 1,0 | 4 | MS-8x25-912 | 249,00 € |
| 00PP-050-540-4 | 50 | 36,4 | 40 | 22 | 46 | 1,0 | 4 | MS-10x25-912 | 287,00 € |
| 00PP-052-540-4 | 52 | 38,4 | 40 | 22 | 46 | 1,0 | 4 | MS-10x25-912 | 292,00 € |
| 00PP-063-540-5 | 63 | 49,3 | 50 | 27 | 54 | 1,0 | 5 | MS-12x35-912 | 321,00 € |
| 00PP-066-540-5 | 66 | 52,3 | 50 | 27 | 54 | 1,0 | 5 | MS-12x35-912 | 327,00 € |
| enge Teilung: | | | | | | | | | |
| 00PP-050-540-5 | 50 | 36,4 | 40 | 22 | 46 | 1,0 | 5 | MS-10x25-912 | 294,00 € |
| 00PP-052-540-5 | 52 | 38,4 | 40 | 22 | 46 | 1,0 | 5 | MS-10x25-912 | 299,00 € |
| 00PP-063-540-7 | 63 | 49,3 | 50 | 27 | 54 | 1,0 | 7 | MS-12x35-912 | 339,00 € |
| 00PP-066-540-7 | 66 | 52,3 | 50 | 27 | 54 | 1,0 | 7 | MS-12x35-912 | 359,00 € |

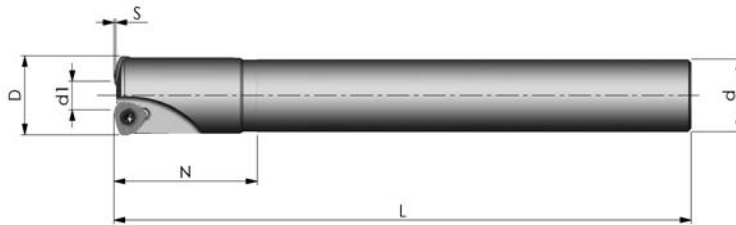
New!

MS = Mittenschraube



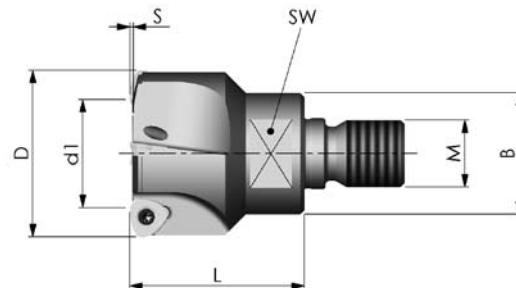
Fräsaufnahme nach DIN 1835-B (Weldon)

| Bestell-Nr. | D | d ₁ | L | d | N | S | Z | Preis/Stck. |
|-------------------|----|----------------|-------|----|-----|-----|---|-------------|
| 00PP-20-540-2-80 | 20 | 8,3 | 135,5 | 20 | 80 | 1,0 | 2 | 174,00 € |
| 00PP-22-540-2-80 | 22 | 10,2 | 135,5 | 20 | 80 | 1,0 | 2 | 179,00 € |
| 00PP-25-540-3-80 | 25 | 12,6 | 141,5 | 25 | 80 | 1,0 | 3 | 183,00 € |
| 00PP-25-540-3-125 | 25 | 12,6 | 186,5 | 25 | 125 | 1,0 | 3 | 187,00 € |
| 00PP-32-540-3-80 | 32 | 19,0 | 141,5 | 25 | 80 | 1,0 | 3 | 187,00 € |
| 00PP-32-540-3-125 | 32 | 19,0 | 186,5 | 25 | 125 | 1,0 | 3 | 192,00 € |
| 00PP-40-540-4-80 | 40 | 26,4 | 145,5 | 32 | 80 | 1,0 | 4 | 215,00 € |
| 00PP-40-540-4-125 | 40 | 26,4 | 190,5 | 32 | 125 | 1,0 | 4 | 220,00 € |



Fräsaufnahme nach DIN 1835-A (Glattschaft)

| Bestell-Nr. | D | d ₁ | L | d | N | S | Z | Preis/Stck. |
|-------------------|----|----------------|-----|----|----|-----|---|-------------|
| 00PP-20-540-2-160 | 20 | 8,3 | 160 | 20 | 35 | 1,0 | 2 | 183,00 € |
| 00PP-22-540-2-160 | 22 | 10,2 | 160 | 20 | 40 | 1,0 | 2 | 187,00 € |
| 00PP-25-540-3-170 | 25 | 12,6 | 170 | 25 | 35 | 1,0 | 3 | 192,00 € |
| 00PP-32-540-3-195 | 32 | 19,0 | 195 | 25 | 40 | 1,0 | 3 | 197,00 € |
| 00PP-40-540-4-195 | 40 | 26,4 | 195 | 32 | 40 | 1,0 | 4 | 225,00 € |

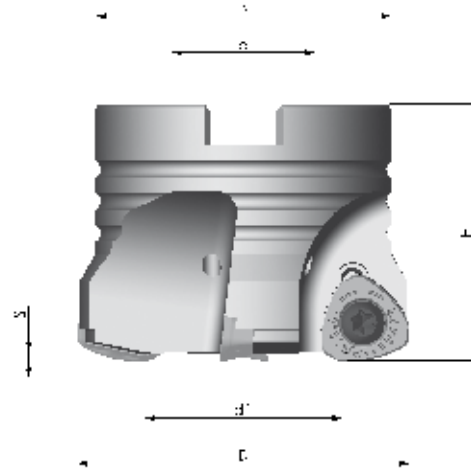
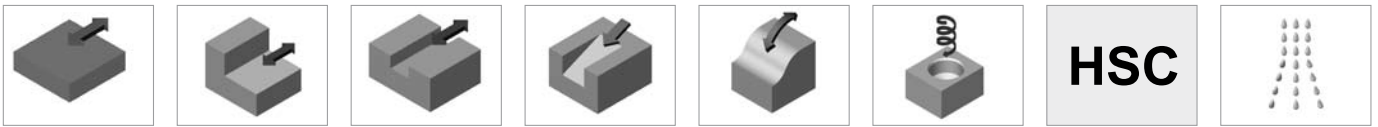


| Bestell-Nr. | D | d ₁ | L | M | B | SW | S | Z | Preis/Stck. |
|----------------------|----|----------------|----|-----|------|------|-----|---|-------------|
| ESF-20-M10-540-2 | 20 | 8,3 | 28 | M10 | 18,5 | SW16 | 1,0 | 2 | 158,00 € |
| ESF-22-M10-540-2 | 22 | 10,2 | 28 | M10 | 21,0 | SW16 | 1,0 | 2 | 161,00 € |
| ESF-25-M12-540-3 | 25 | 12,6 | 32 | M12 | 24,0 | SW18 | 1,0 | 3 | 179,00 € |
| ESF-32-M16-540-3 | 32 | 19,0 | 42 | M16 | 29,0 | SW24 | 1,0 | 3 | 181,00 € |
| ESF-35-M16-540-3 | 35 | 21,4 | 42 | M16 | 29,0 | SW24 | 1,0 | 3 | 185,00 € |
| ESF-40-M16-540-4 | 40 | 26,4 | 42 | M16 | 29,0 | SW24 | 1,0 | 4 | 201,00 € |
| ESF-42-M16-540-4 | 42 | 28,4 | 42 | M16 | 29,0 | SW24 | 1,0 | 4 | 205,00 € |
| enge Teilung: | | | | | | | | | |
| ESF-32-M16-540-4 | 32 | 19,0 | 42 | M16 | 29,0 | SW24 | 1,0 | 4 | 193,00 € |
| ESF-35-M16-540-4 | 35 | 21,4 | 42 | M16 | 29,0 | SW24 | 1,0 | 4 | 197,00 € |
| ESF-40-M16-540-5 | 40 | 26,4 | 42 | M16 | 29,0 | SW24 | 1,0 | 5 | 213,00 € |
| ESF-42-M16-540-5 | 42 | 28,4 | 42 | M16 | 29,0 | SW24 | 1,0 | 5 | 217,00 € |

Neu!



Produkterweiterung 545:



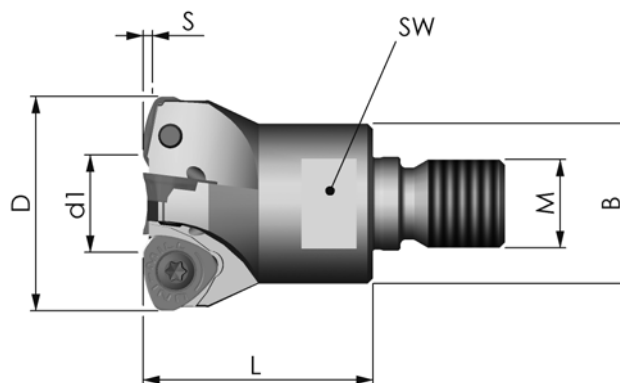
| Bestell-Nr. | D | d ₁ | H | d | B | S | Z | MS | Preis/Stck. |
|----------------|-----|----------------|----|----|----|------|---|---------------|-------------|
| 00PP-050-545-4 | 50 | 29,6 | 40 | 22 | 46 | 1,35 | 4 | MS-10x25-912 | 287,00 € |
| 00PP-052-545-4 | 52 | 31,6 | 40 | 22 | 46 | 1,35 | 4 | MS-10x25-912 | 292,00 € |
| 00PP-063-545-5 | 63 | 42,5 | 50 | 27 | 54 | 1,35 | 5 | MS-10x30-912 | 321,00 € |
| 00PP-066-545-5 | 66 | 45,5 | 50 | 27 | 54 | 1,35 | 5 | MS-10x30-912 | 327,00 € |
| 00PP-080-545-5 | 80 | 59,5 | 50 | 32 | 64 | 1,35 | 5 | MS-16x30-912 | 349,00 € |
| 00PP-100-545-6 | 100 | 79,5 | 50 | 32 | 64 | 1,35 | 6 | MS-16x30-912 | 397,00 € |
| 00PP-125-545-7 | 125 | 104,5 | 50 | 40 | 90 | 1,35 | 7 | MS-20x45-7991 | 464,00 € |
| 00PP-160-545-8 | 160 | 140,0 | 50 | 40 | 90 | 1,35 | 8 | MS-20x45-7991 | 546,00 € |

enge Teilung:

| | | | | | | | | | |
|----------------|----|------|----|----|----|------|---|--------------|----------|
| 00PP-052-545-5 | 52 | 31,6 | 40 | 22 | 46 | 1,35 | 5 | MS-10x25-912 | 299,00 € |
| 00PP-063-545-6 | 63 | 42,5 | 50 | 27 | 54 | 1,35 | 6 | MS-10x30-912 | 339,00 € |
| 00PP-066-545-6 | 66 | 45,5 | 50 | 27 | 54 | 1,35 | 6 | MS-10x30-912 | 359,00 € |
| 00PP-080-545-6 | 80 | 59,5 | 50 | 32 | 64 | 1,35 | 6 | MS-16x30-912 | 369,00 € |

New!

MS = Mittenschraube



| Bestell-Nr. | D | d ₁ | L | M | B | SW | S | Z | Preis/Stck. |
|------------------|----|----------------|----|-----|------|------|-----|---|-------------|
| ESF-32-M16-545-3 | 32 | 15,0 | 40 | M16 | 29,0 | SW24 | 1,8 | 3 | 193,00 € |
| ESF-35-M16-545-3 | 35 | 16,0 | 40 | M16 | 29,0 | SW24 | 1,8 | 3 | 197,00 € |
| ESF-40-M16-545-4 | 40 | 20,8 | 42 | M16 | 29,0 | SW24 | 1,3 | 4 | 213,00 € |
| ESF-42-M16-545-4 | 42 | 22,5 | 42 | M16 | 29,0 | SW24 | 1,3 | 4 | 217,00 € |

New!



540 Wendeschneidplatten und Ersatzteile:

| | | |
|---|---|---|
|  | FP 540 TA50 = 7,20 €/St.* FP 540 HT50 = 7,20 €/St.* FP 540 KT28 = 7,35 €/St. | Maße: IK 7,85x3,0 Plattensitz: A11 Präzisionsgesintert, Schneide gefast Verpackungseinheit: 20 Stck. |
|  | FP 640 HT50 = 7,20 €/St. FP 640 HT30 = 7,20 €/St. | Maße: IK 7,85x3,0 Plattensitz: A11 Präzisionsgesintert mit Spanleitstufe Verpackungseinheit: 20 Stck. |
|  | SS 3,0-1 = 1,35 €/St. | Spannschraube |
|  | T 09 = 8,00 €/St. | Schraubendreher |
|  | Fett = 12,20 €/St. | Hochleistungsfett 100g |

545 Wendeschneidplatten und Ersatzteile:

| | | |
|---|---|---|
|  | FP 545 TA50 = 8,90 €/St. FP 545 HT50 = 8,90 €/St. FP 545 KT28 = 9,00 €/St. | Maße: IK 11,8x5,0 Plattensitz: A12 Präzisionsgesintert, Schneide gefast Verpackungseinheit: 20 Stck. |
|  | FP 645 HT50 = 8,90 €/St FP 645 HT30 = 8,90 €/St | Maße: IK 11,8x5,0 Plattensitz: A12 Präzisionsgesintert mit Spanleitstufe Verpackungseinheit: 20 Stck. |
|  | SS 4,5-1 = 1,35 €/St. | Spannschraube |
|  | T 20 = 9,00 €/St. | Schraubendreher |
|  | Fett= 12,20 €/St. | Hochleistungsfett 100g |

alle Preise zzgl. Mehrwertsteuer